

TIP: To prevent shutters from warping, proper installation must be followed. If installing shutters on any type of masonry, wall anchors will be needed. For use on any surface including: wood, aluminum, vinyl, stucco, hardboard, brick, or masonry.

Other Materials and Tools You Need: Electric Drill, 1/4" drill bit, 1/8" drill bit, screwdriver, screws

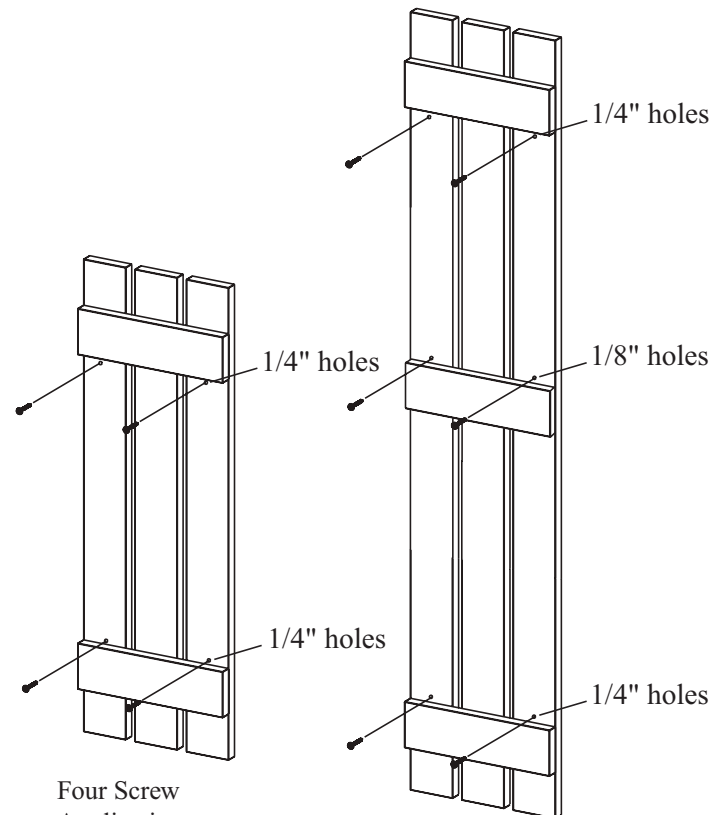
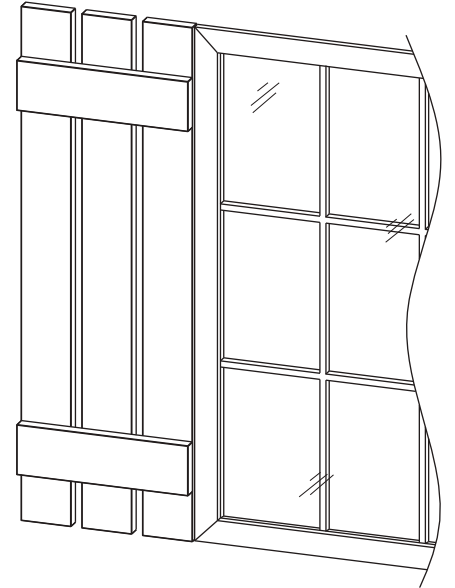
1 Place the shutter next to the window and mark the desired location against the wall or window (See figure right).

2 For sizes below 55" use four screws per shutter. For larger sizes, 55" and over, use six screws per shutter. See figures below for proper screw placement and hole size. The 1/8" holes may be drilled into the wall surface and used as pilot holes. The 1/4" holes are drilled only in the shutter.

Note: If installing on masonry, transfer the holes in the shutter onto the wall. Using a masonry drill bit, drill the holes into the wall. Install the wall anchors according to the instructions supplied with them and install shutters.

3 Use the enclosed screws to securely attach the shutter to the wall surface. Do not over tighten the screws. The shutters need freedom to expand and contract with the changing weather conditions.

Note: The above instructions use the 3 board shutter as an example. The same techniques will be used for shutters with more boards.



Four Screw Application
For less than 55"

Six Screw Application
For 55" or greater